

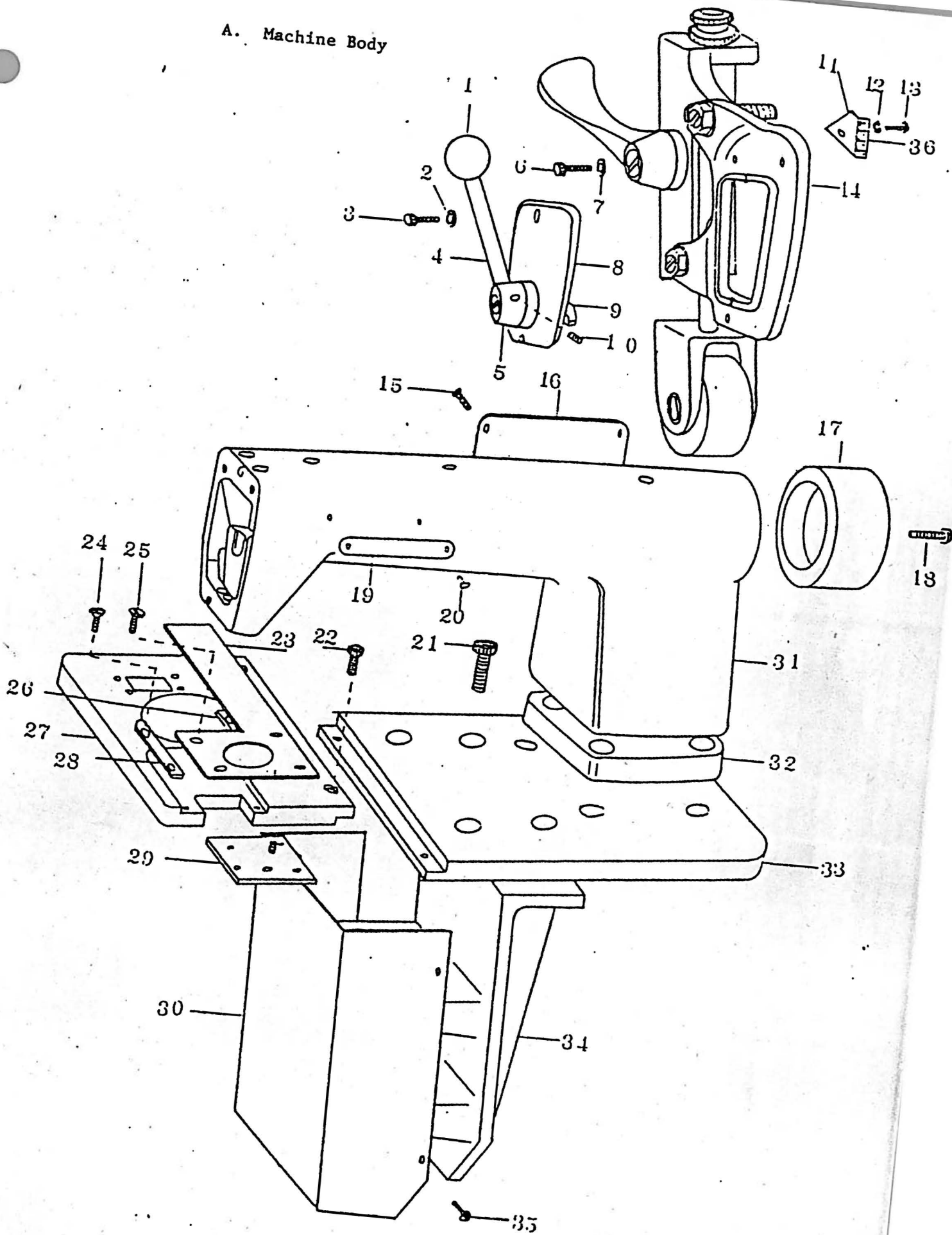
BROTHER ULTRASONIC SEALING MACHINE

BU3-111

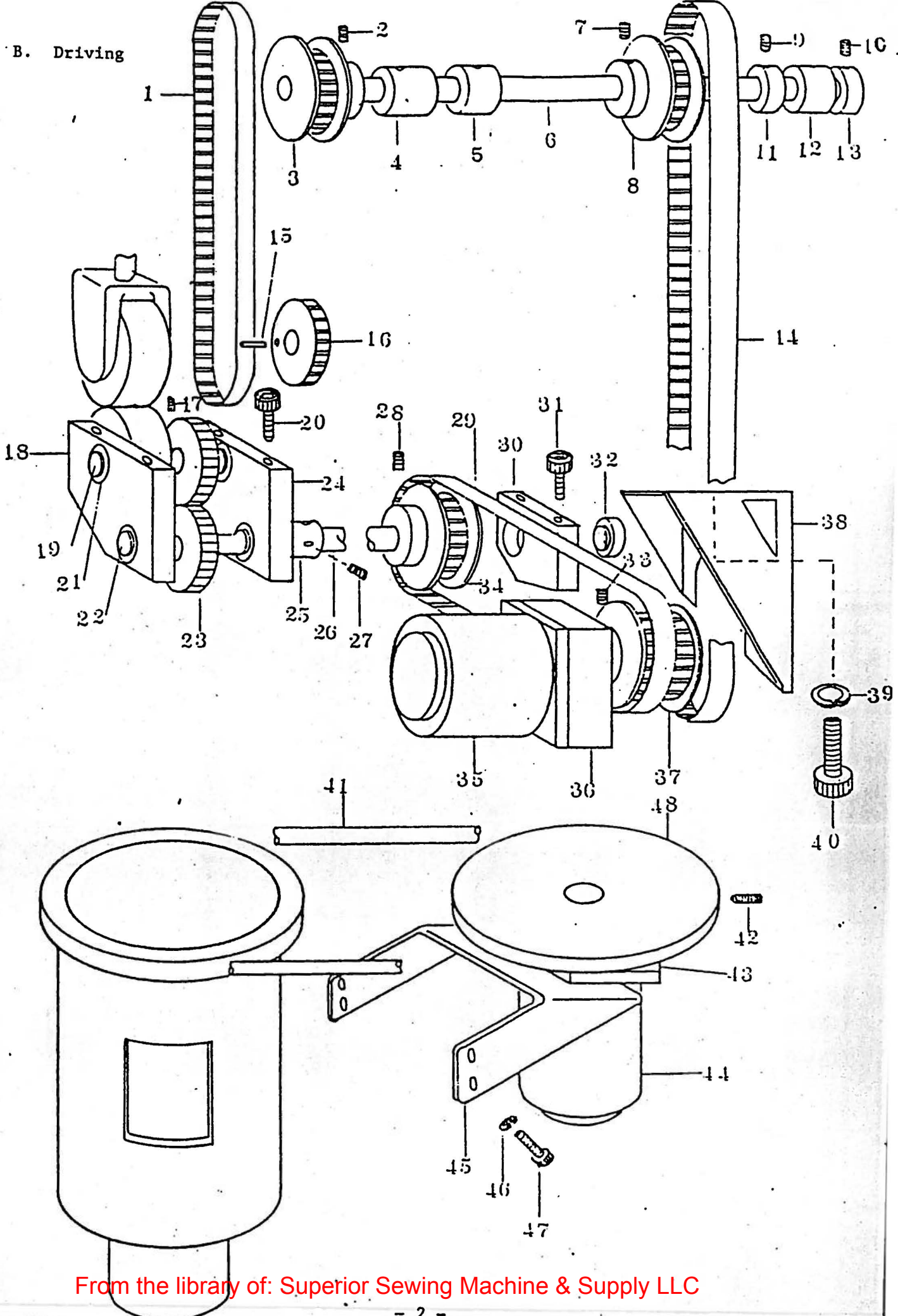
Table of Contents

A. Machine Body	1, 3
B. Driving	2, 3
C. Presser	4
D. Transducer	5
E. Control	6
F. Leg and Treadboard	7
G. Generator (The Front Part)	8
H. Generator (The Back Part)	9
I. Accessory	10
J. Transformer	11

A. Machine Body



B. Driving



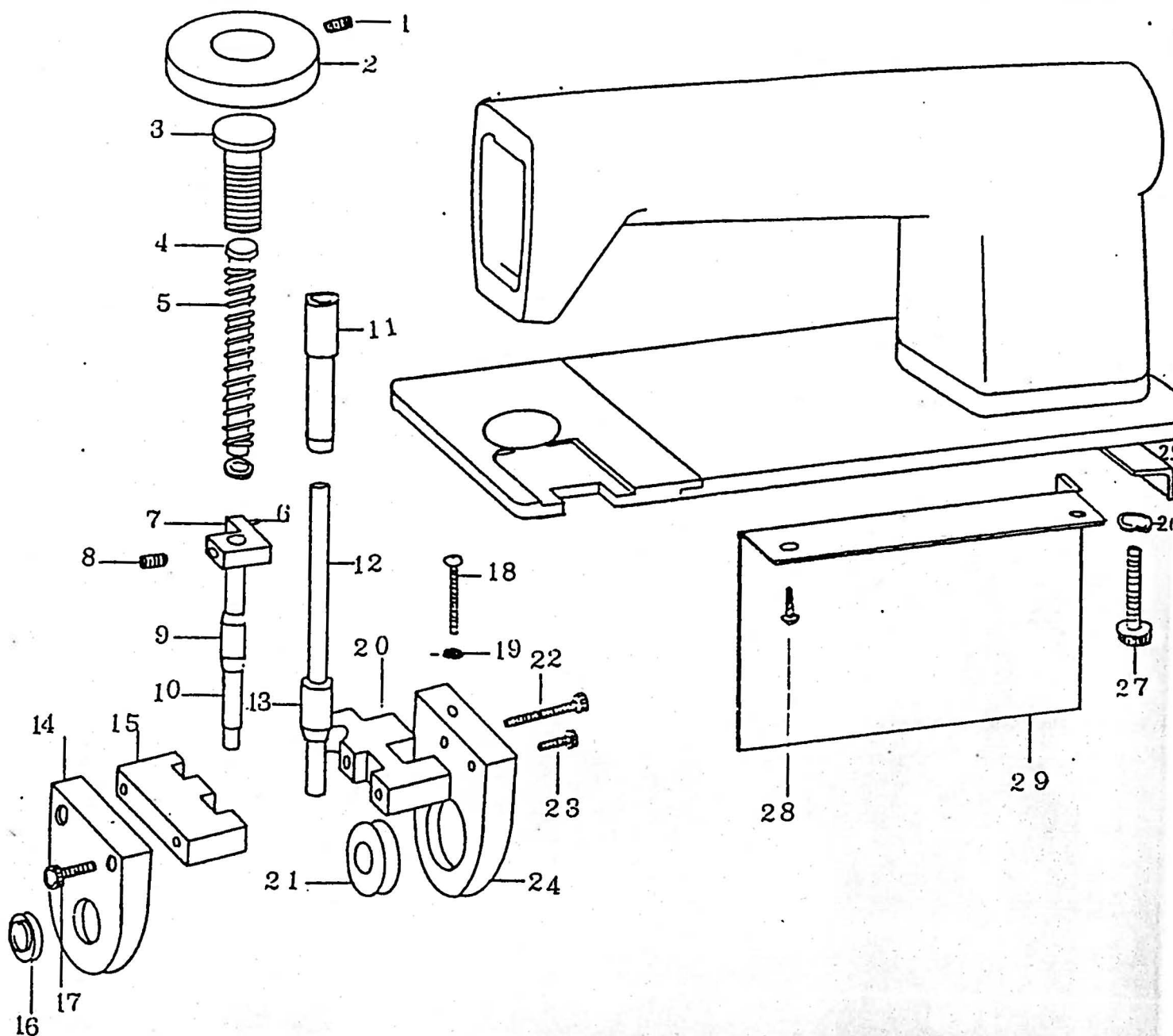
A. Machine Body

Ref. No.	Name of Parts	Q'ty	Parts No.	Ref. No.	Name of Parts	Q'ty	Parts No.
A-1	Knob	1	395082100	A-19	Label #1	1	338593000
A-2	Washer	2	025040333	A-20	Screw	2	200084002
A-3	Socket Cap Screw	2	018401622	A-21	Socket Cap Screw	4	018082022
A-4	Lever	1	338732000	A-22	Socket Cap Screw	2	018050822
A-5	Lever Fitting Shaft	1	338733000	A-23	Horn Cover Plate	1	338806000
A-6	Socket Cap Screw	3	018401622	A-24	Screw	4	004400803
A-7	Washer	3	025040333	A-25	Screw	4	009711012
A-8	Face Plate	1	338707000	A-26	Plate #1	1	338719000
A-9	Cam	1	338708000	A-27	Bed #2	1	338689000
A-10	Set Screw	2	012060622	A-28	Plate #2	1	338720000
A-11	Label Fitting Plate	1	338806000	A-29	Sliding Plate	1	148599001
A-12	Spring Washer	1	028040243	A-30	Cover #3	1	338730000
A-13	Screw	1	002400803	A-31	Arm	1	338705000
A-14	Tension Roller Assy.	1	338718000	A-32	Adjusting Block	1	338710000
A-15	Screw	4	002400803	A-33	Bed #1	1	338688000
A-16	Back Plate	1	111456001	A-34	Transducer Fixture #2	1	338529000
A-17	Head Cover	1	338703000	A-35	Screw	4	002400803
A-18	Screw	2	002503500	A-36	Label #2	1	338501000

B. Driving

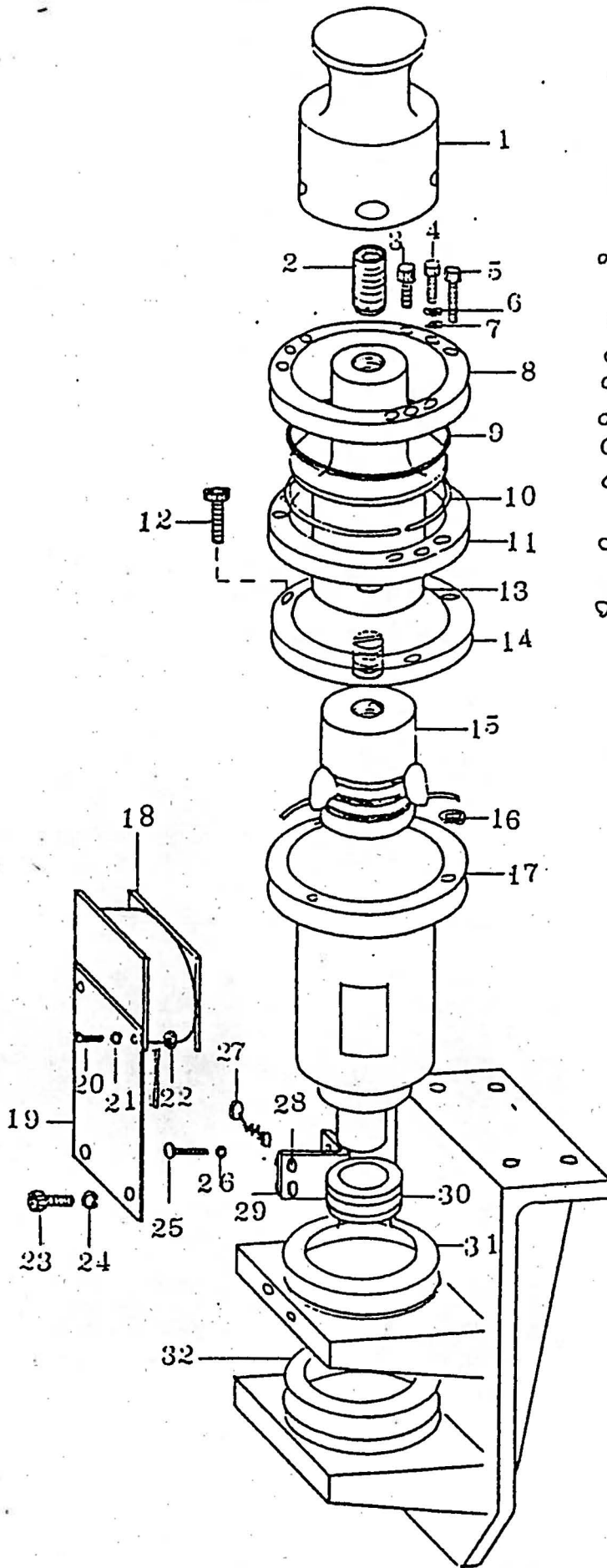
Ref. No.	Name of Parts	Q'ty	Parts No.	Ref. No.	Name of Parts	Q'ty	Parts No.
B-1	Timing Belt #1	1	394465100	B-25	Coupling Ring	1	338716000
B-2	Set Screw	2	012060622	B-26	Coupling Shaft	1	338713000
B-3	Pulley #4	1	338728000	B-27	Set Screw	4	012501422
B-4	Upper Shaft Bushing L	1	145459101	B-28	Set Screw	2	012060622
B-5	Upper Shaft Bushing M	1	140726000	B-29	Timing Belt #3	1	395061100
B-6	Upper Shaft	1	109137001	B-30	Holder #4	1	338712000
B-7	Set Screw	2	012060622	B-31	Socket Cap Screw	2	018051222
B-8	Pulley #4	1	338728000	B-32	Bearing SM08DU3	1	394741100
B-9	Set Screw	2	012060622	B-33	Set Screw	2	012060622
B-10	Set Screw	2	012060622	B-34	Pulley #2	1	338697000
B-11	Stop Ring	1	338734000	B-35	Motor	1	394469100
B-12	Upper Shaft Bushing R	1	146331001	B-36	Gear Head 5GK30K	1	395062100
B-13	Stop Ring	1	338734000	B-37	Pulley #3	1	338698000
B-14	Timing Belt #4	1	395064100	B-38	Motor Fixture #1	1	338699000
B-15	Spring Pin	1	047301247	B-39	Spring Washer	2	028140243
B-16	Pulley #1	1	338696000	B-40	Socket Cap Screw	2	018144022
B-17	Set Screw	4	012060622	B-41	Rope ϕ 8	1	338594000
B-18	Holder #3	1	338710000	B-42	Set Screw	1	015501212
B-19	Roller Fitting Shaft #1	1	338714000	B-43	Gear Head 4GK30K	1	396946000
B-20	Socket Cap Screw	4	018051222	B-44	Motor	1	394602100
B-21	Bearing SM08DU3	4	394741100	B-45	Motor Fixture #2	1	338700000
B-22	Roller Fitting Shaft #2	1	338715000	B-46	Spring Washer	4	028060243
B-23	Gear SSB1032	2	338717000	B-47	Socket Cap Screw	4	018061022
B-24	Holder #3	1	338710000	B-48	Driving Pulley	1	338562000

C. Presser



Ref. No.	Name of Parts	Q'ty	Parts No.	Ref. No.	Name of Parts	Q'ty	Parts No.
C-1	Set Screw	1	012060622	C-16	Bearing SM08DU3	1	394741100
C-2	Presser Adjusting Knob	1	338488000	C-17	Socket Cap Screw	2	018401622
C-3	Presser Adjusting Screw	1	141207001	C-18	Screw	1	002403003
C-4	Presser Spring Guide	1	141208001	C-19	Washer	1	025040333
C-5	Presser Spring	1	338727000	C-20	Block #2	1	338695000
C-6	Spring Pin	1	047301247	C-21	Ball Bearing 108	1	394463100
C-7	Presser Bar Lifter Bracket	1	338860000	C-22	Socket Cap Screw	1	018402500
C-8	Set Screw	1	012060622	C-23	Socket Cap Screw	1	018401222
C-9	Presser Bar Bushing	1	111467001	C-24	Holder #2	1	338693000
C-10	Presser Bar	1	111466001	C-25	Fitting Plate	1	338729000
C-11	Needle Bar Bushing	1	111463001	C-26	Spring Washer	1	028100243
C-12	Needle Bar	1	111462001	C-27	Socket Cap Screw	1	018107022
C-13	Needle Bar Bushing D	1	111464001	C-28	Screw	2	032361306
C-14	Holder #1	1	338692000	C-29	Cover #3	1	338730000
C-15	Block #1	1	338694000				

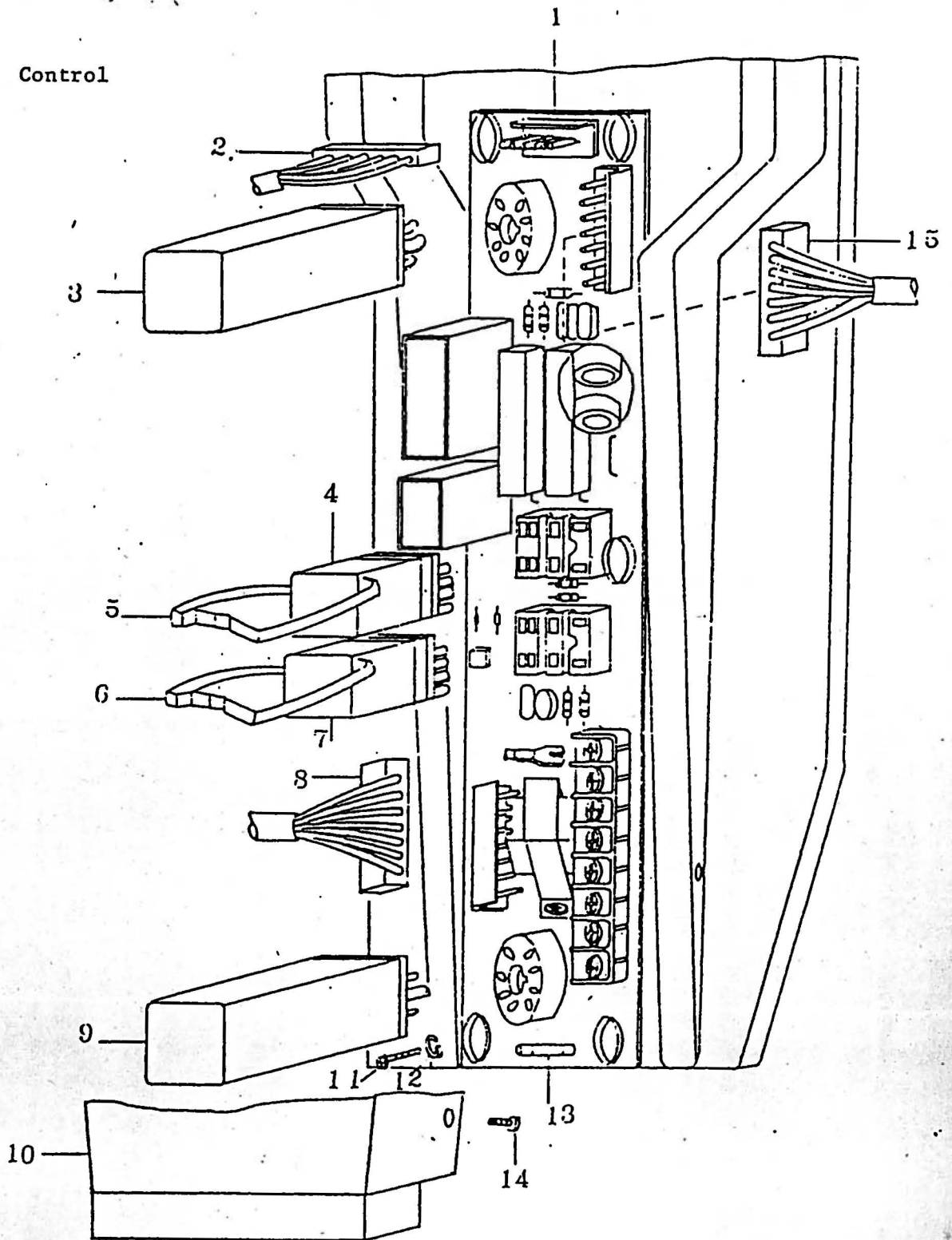
D. Transducer



Ref. No.	Name of Parts	Q'ty	Parts No.
D-1	Horn	1	33869000
D-2	Set Screw	1	012122822
D-3	Socket Cap Screw	3	018062522
D-4	Socket Cap Screw	3	018062022
D-5	Socket Cap Screw	3	390032100
D-6	Spring Washer	3	028060243
D-7	Washer	3	025066200
D-8	Flange #2	1	338456000
D-9	O-Ring	1	081060790
D-10	Wire Ring.	1	338460000
D-11	Flange #1	1	338455000
D-12	Socket Cap Screw	3	018061522
D-13	Booster	1	338457000
D-14	Horn Adjusting Ring	1	338721000
D-15	Transducer	1	338691000
D-16	Washer	3	025040333
D-17	Transducer Holder	1	338454000
D-18	Motor Fan	1	394471000
D-19	Fan Fitting Plate #2	1	338532000
D-20	Screw	2	002400822
D-21	Spring Washer	2	028040243
D-22	Nut	2	021400303
D-23	Socket Cap Screw	2	018061022
D-24	Spring Washer	2	028060243
D-25	Screw	2	002501203
D-26	Spring Washer	2	028050243
D-27	Carbon Brush	2	394598100
D-28	Brush Holder	2	394596100
D-29	Brush Holder Fitting Plate	1	338538000
D-30	Slip Ring	1	394595100
D-31	Ball Bearing 6017ZZ	1	394589100
D-32	Ball Bearing 6016ZZ	1	394588100

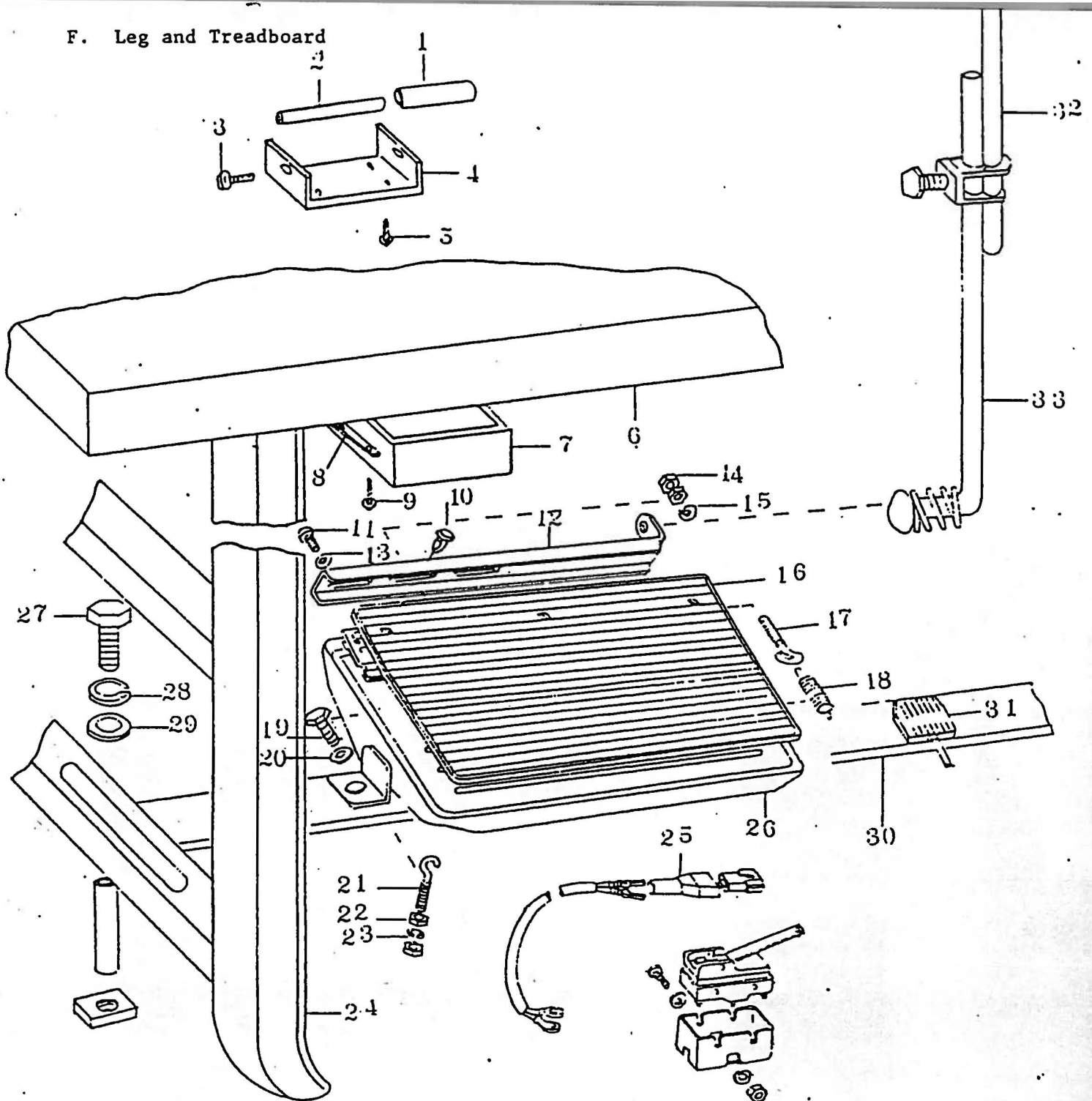
06P15E-7

E. Control



Ref. No.	Name of Parts	Q'ty	Parts No.	Ref. No.	Name of Parts	Q'ty	Parts No.
E-1	Printed Board Assy.	1	338672000	E-9	Motor Speed Controller	1	398339100
E-2	Connector	1	398546100	E-10	Cover #2	1	338702000
E-3	Motor Speed Controller	1	398339100	E-11	Screw	6	002400803
E-4	Relay	1	398593100	E-12	Spring Washer	6	028040243
E-5	Relay Fixture	1	398597100	E-13	Fuse 0.1A	1	398542100
E-6	Relay Fixture	1	398597100	E-14	Screw	4	002400803
E-7	Relay	1	398390100	E-15	Connector	1	398627100
E-8	Connector	1	398546100				

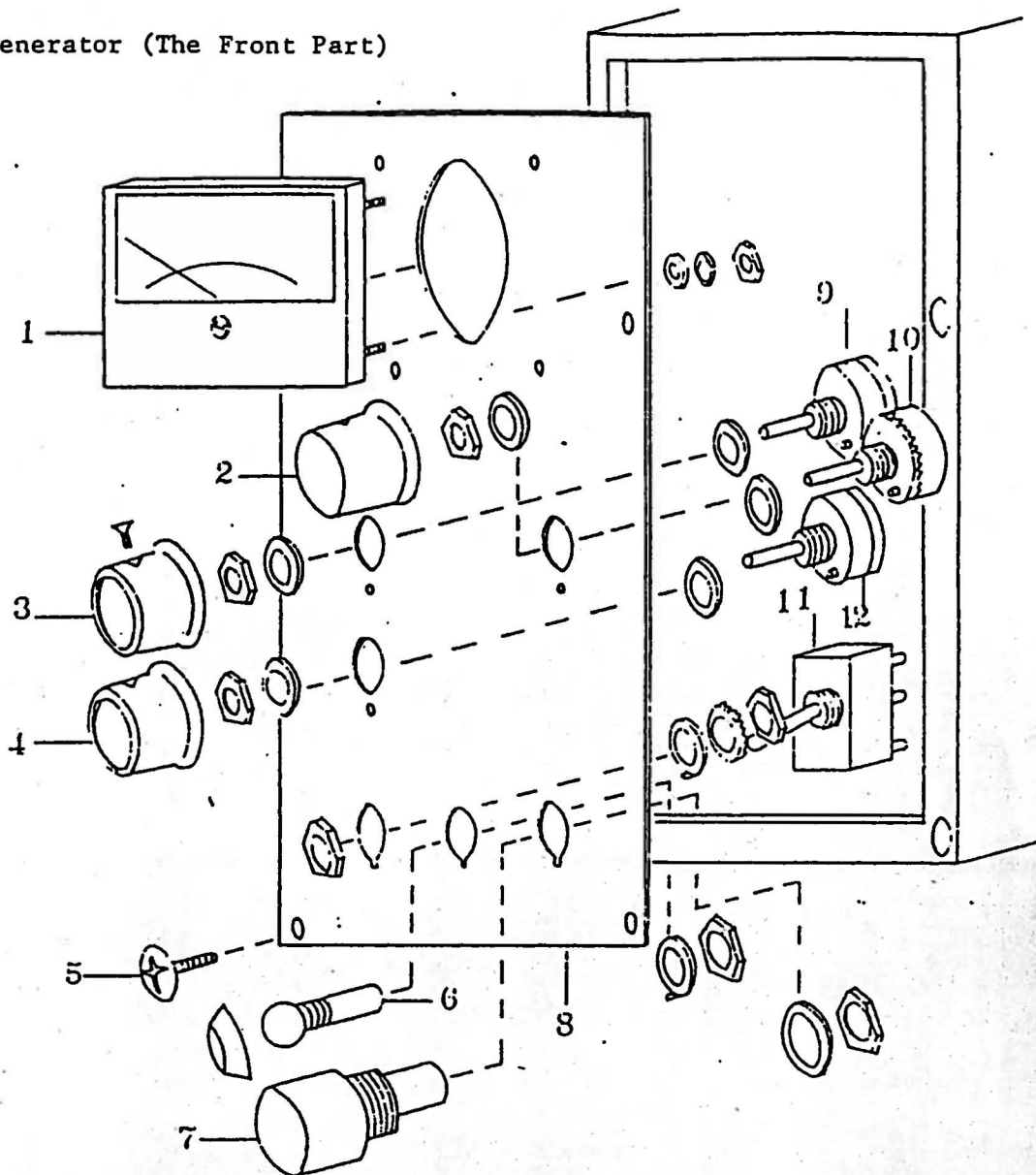
F. Leg and Treadboard



Ref. No.	Name of Parts	Q'ty	Parts No..	Ref. No.	Name of Parts	Q'ty	Parts No.
F-1	Adjusting Roller #2	1	338814000	F-18	Spring	1	146178001
F-2	Adjusting Shaft	1	338815000	F-19	Bolt	2	017061206
F-3	Screw	2	002401003	F-20	Washer	2	025060243
F-4	Tape Adjusting Plate #2	1	338816000	F-21	Adjusting Hook	1	140947001
F-5	Screw	4	032361306	F-22	Nut	2	212251001
F-6	Table	1	338704000	F-23	Spring Washer	1	028040243
F-7	Table Box	1	119702001	F-24	Outer Leg	2	133637001
F-8	Box Support	2	101121002	F-25	U2 Cord Assy.	1	146160001
F-9	Screw	4	032361306	F-26	Treadboard Assy.	1	146175001
F-10	Pin	3	146358001	F-27	Bolt	2	017082006
F-11	Screw	1	001061606	F-28	Spring Washer	2	028080240
F-12	Fitting Arm	1	133635001	F-29	Washer	2	025080236
F-13	Washer	1	025066200	F-30	Treadboard Support Plate	1	119704001
F-14	Nut	2	021060206	F-31	Foot Switch	1	606370001
F-15	Spring Washer	2	028060240	F-32	Pedal Fixed Shaft	1	338731000
F-16	Treadboard Cover	1	109268001	F-33	Knee Lifter Lever Shaft	1	133641001
F-17	Foot	1	109268001				

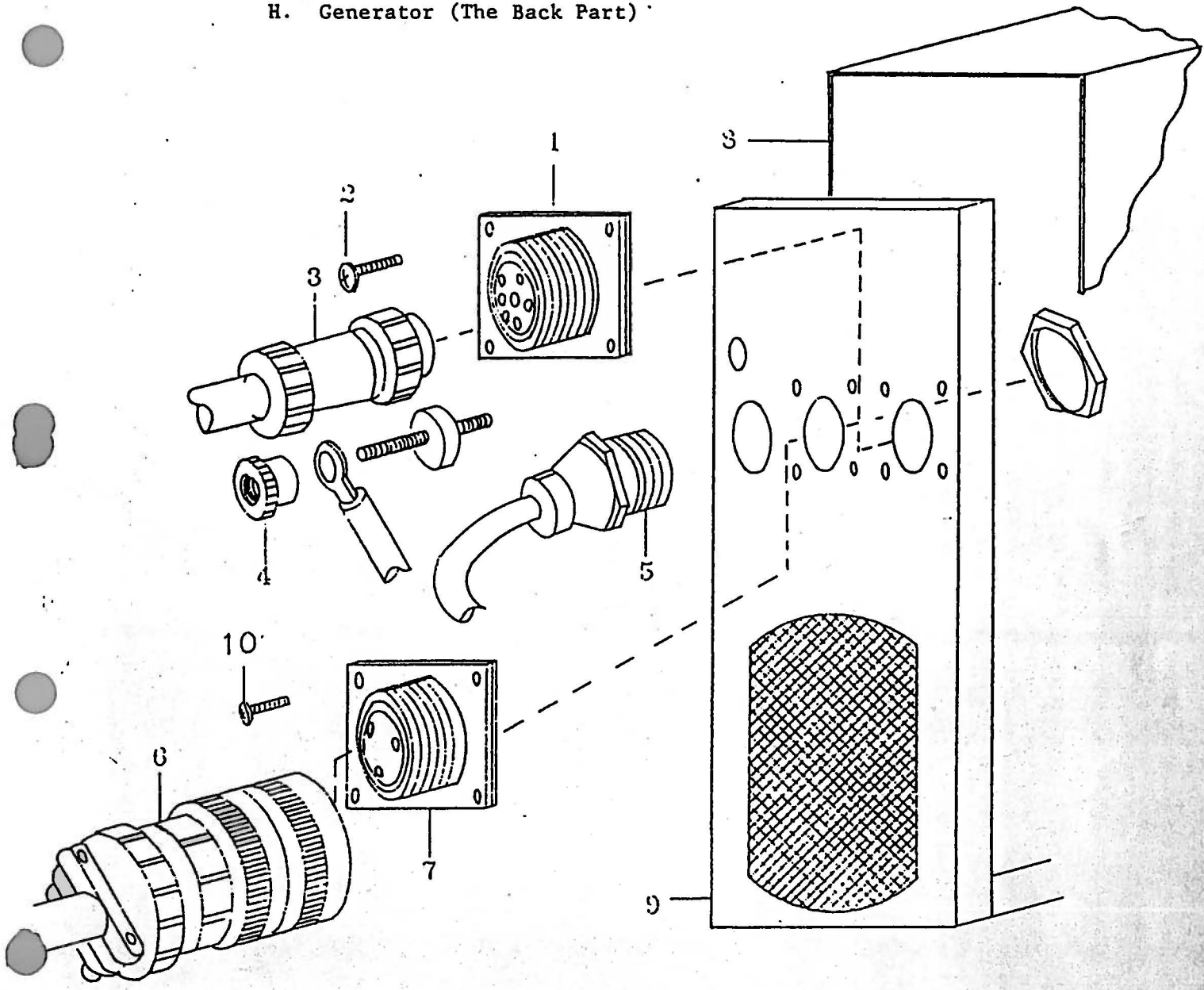
From the library of: Superior Sewing Machine & Supply LLC

G. Generator (The Front Part)



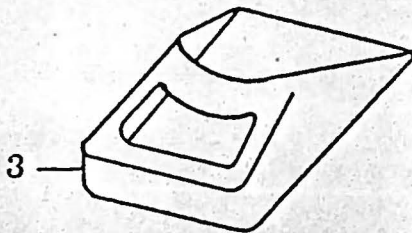
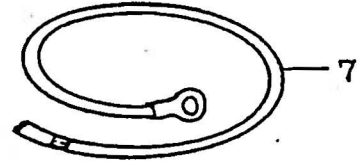
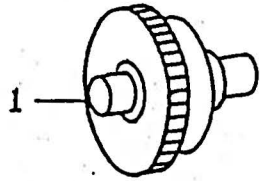
Ref. No.	Name of Parts	Q'ty	Parts No.	Ref. No.	Name of Parts	Q'ty	Parts No.
G-1	Ampere Meter	1	398650100	G-8	Front Panel	1	338564000
G-2	Knob K-11 (L)	1	398330100	G-9	Resistor	1	398294100
G-3	Knob	1	398331000	G-10	Resistor	1	398293100
G-4	Knob	1	398331000	G-11	Snap Switch	1	398622100
G-5	Screw	4	008300503	G-12	Resistor	1	398294100
G-6	Neon Bracket	1	398084100				
G-7	Fuse Holder	1	398332100				

H. Generator (The Back Part)

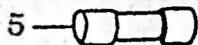
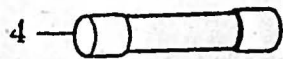


Ref. No.	Name of Parts	Q'ty	Parts No.
H-1	7P Connector Receptacle	1	398550100
H-2	Screw	4	008300503
H-3	Signal Cable Assy.	1	338722000
H-4	Earth Terminal	1	321300019
H-5	Cord Lock	1	399927000
H-6	Output Cable Assy.	1	338647000
H-7	3P Connector Receptacle	1	398549100
H-8	Cover	1	338620000
H-9	Chassis	1	338619000
H-10	Screw	4	008300503

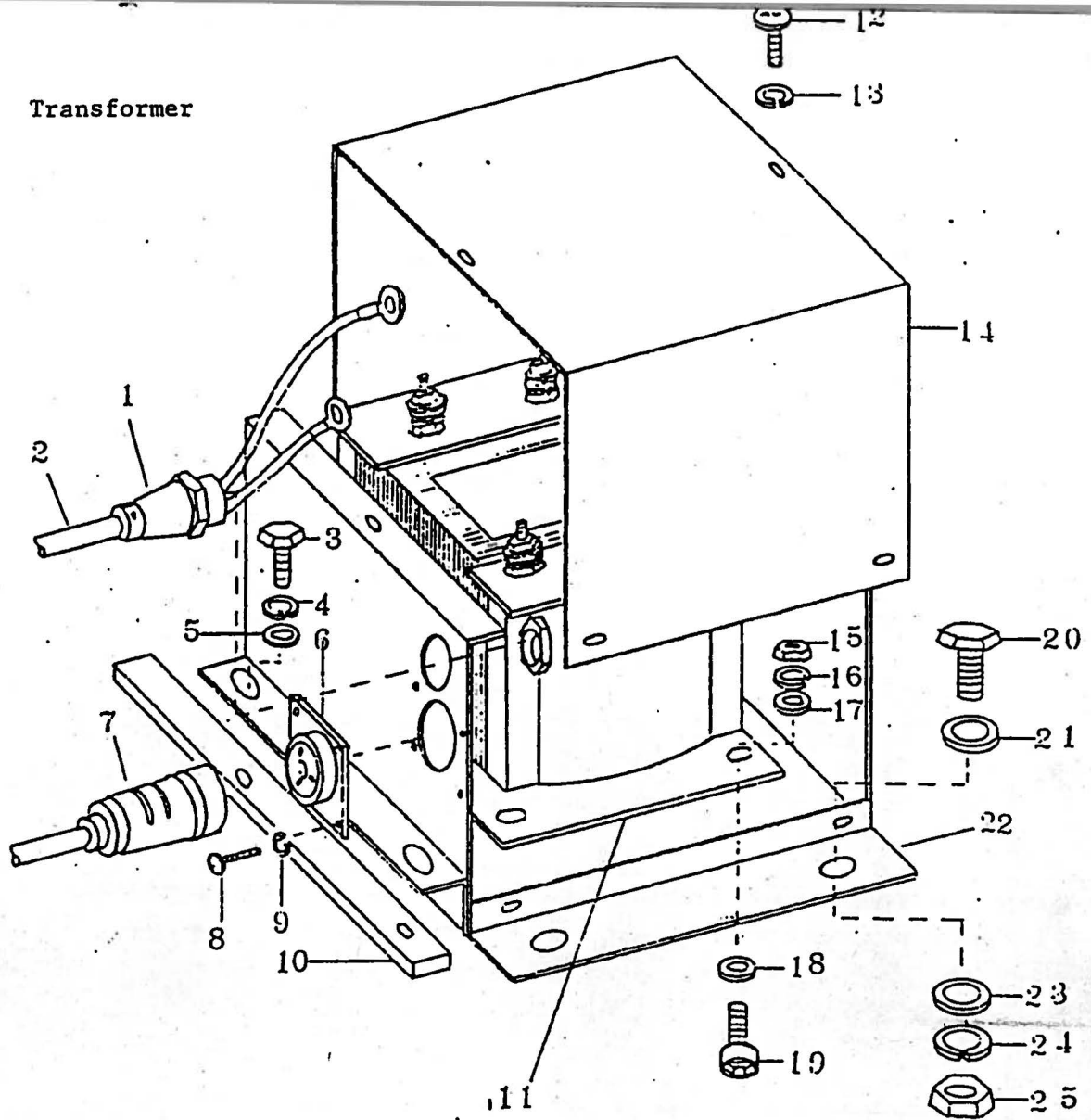
I. Accessory



Ref. No.	Name of Parts	Q'ty	Parts No.
I-1	Sealing Roller	1	
I-2	Hexagon Wrench (3)	1	394467100
I-3	Rubber Assy. for Leg	1	133632001
I-4	Fuse 15A	2	398651100
I-5	Fuse 0.5A	2	398340100
I-6	Fuse 0.1A	2	398542100
I-7	Earth Wire	1	301162000



J. Transformer



1772 137-779

Ref. No.	Name of Parts	Q'ty	Parts No.	Ref. No.	Name of Parts	Q'ty	Parts No.
J-1	Cord Lock	1	399927000	J-15	Nut	4	021060206
J-2	3 Cores Cable	1	398197100	J-16	Spring Washer	4	028060243
J-3	Bolt	2	017061206	J-17	Washer	4	025066233
J-4	Spring Washer	2	028060243	J-18	Washer	4	025066233
J-5	Washer	2	025066233	J-19	Socket Cap Screw	4	018061032
J-6	3P Receptacle	1	398721100	J-20	Bolt	2	017082006
J-7	3P Plug	1	398722100	J-21	Washer	2	025086233
J-8	Screw	4	062300606	J-22	Transformer Case	1	338873000
J-9	Spring Washer	4	028030243	J-23	Washer	2	025086233
J-10	Case Fixture	1	338875000	J-24	Spring Washer	2	028080243
J-11	Transformer	1	338881000	J-25	Nut	2	021080206
J-12	Screw	6	062400606				
J-13	Spring Washer	6	028040243				
J-14	Transformer Case Cover	1	338745000				